

Thin Large Flange Head Nutsert

Body Type: Round Open

Outside Body: Splined | Knurled

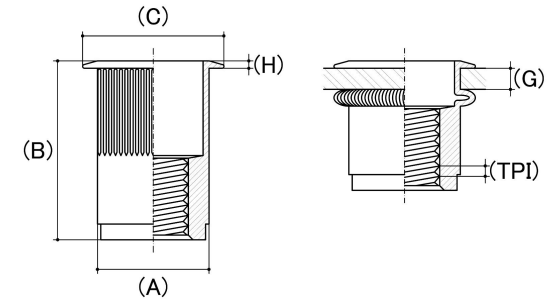
Thread Type: Metric - Coarse

Body Material: Low Carbon Steel

Class Grade: Low Tensile Class 4.6

Finish: Zinc Plated

Corrosion Protection Level: Moderate



*CAD drawings shown for graphic representation only.**

Size	Thread Pitch (mm)	Thread Type	Material Grip Range (G) (mm)		Overall Nut Height (B) (mm)	Head Diameter (C) (mm)	Nut Width (A) (mm)	Flange Thickness (H) (mm)	Recommended Hole Size (mm)	Pull Out (KN)	Push Out (KN)	Torque To Turn (NM)		sku (qfind)
			Min	Max	Nom	Nom	Nom	Nom	Nom	Nom	Nom	Nom	Min	
M4	0.70	Coarse	0.50	2.00	11.50	9.90	6.73	0.76	6.80	2	1	4.4	-	43AL4SP
M4	0.70	Coarse	2.00	3.30	12.70	9.90	6.73	0.76	6.80	2	1	4.4	-	43AL4SP2
M5	0.80	Coarse	0.50	3.30	12.90	10.50	7.50	0.76	7.60	4	2	8.3	-	43AL5SP
M5	0.80	Coarse	3.30	5.70	15.50	10.50	7.50	0.76	7.60	4	2	8.3	-	43AL5SP2
M6	1.00	Coarse	0.70	4.20	15.50	12.70	9.91	0.76	10.00	9	2	16.7	-	43AL6SP
M6	1.00	Coarse	4.20	6.60	18.00	12.70	9.91	0.76	10.00	9	2	16.7	-	43AL6SP2
M8	1.25	Coarse	0.70	3.80	18.40	17.40	13.40	0.89	13.50	19	3	26.5	-	43AL8SP
M8	1.25	Coarse	3.80	7.90	21.50	17.40	13.40	0.89	13.50	19	3	26.5	-	43AL8SP2
M10	1.50	Coarse	0.70	3.80	18.40	17.40	13.40	0.89	13.50	19	3	32.3	-	43AL10SP
M10	1.50	Coarse	3.80	7.90	21.20	17.40	13.46	0.89	13.50	19	3	32.3	-	43AL10SP2
M12	1.75	Coarse	1.60	5.10	30.40	22.00	17.40	1.19	17.45	31	9	-	-	43AL12SP
M12	1.75	Coarse	5.10	8.90	34.20	22.00	17.40	1.19	17.45	31	10	-	-	43AL12SP2
M12	1.75	Coarse	8.90	12.70	38.00	22.00	17.40	1.20	17.45	35	10	-	-	43AL12SP3

Disclaimer:

Dimensional data and technical information was obtained from publically available sources and not acquired through standard agencies. It has been completed and compiled for reference purposes only; where discrepancies are found they are subject to change without notice. Bolt & Nut Australia makes no warranties or representations regarding the accuracy and validity of the compiled information and data. Contact the relevant standard authorities for accurate and detailed information.

* CAD drawings may not reflect diameter, thread length or overall length.